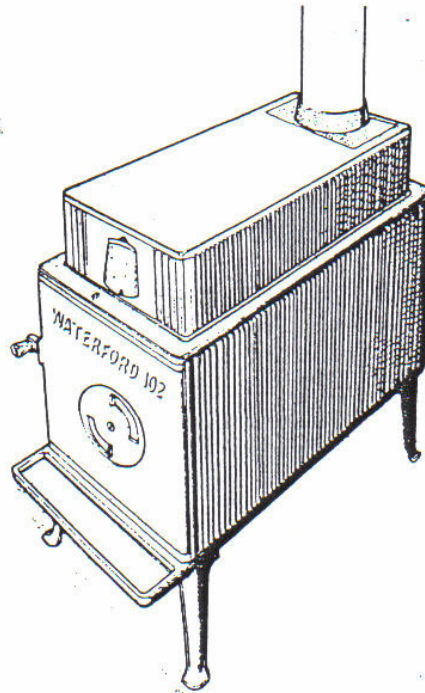


# **WATERFORD**

## 102

WOOD-BURNING STOVE

SEP 19 1986

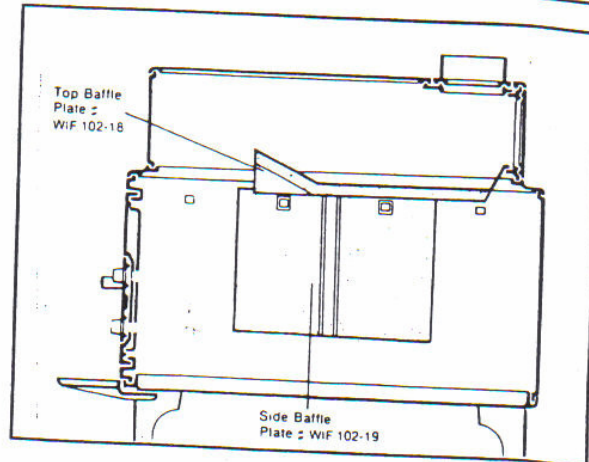
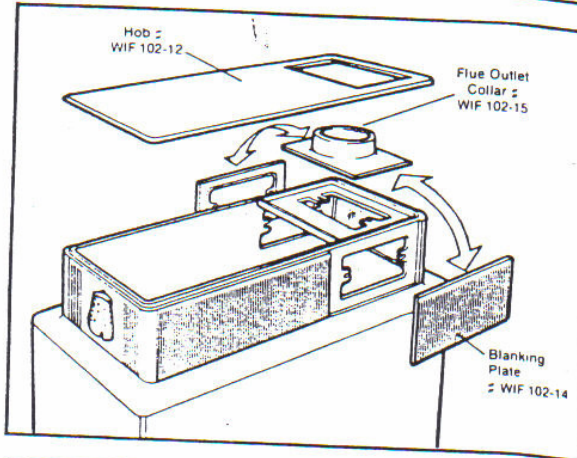
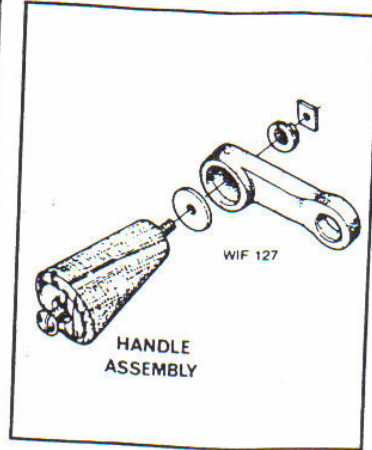
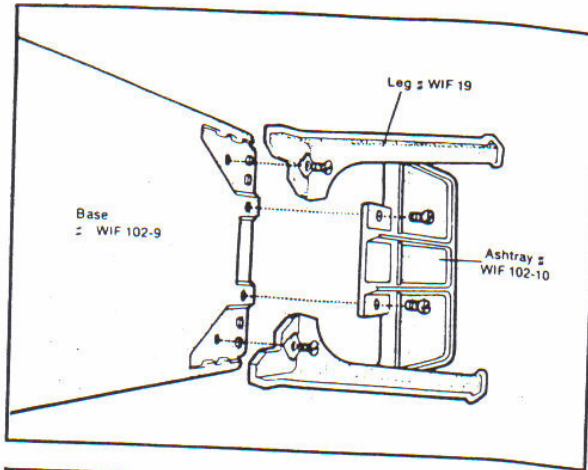


### **SAFETY NOTICE**

If this stove/appliance is not properly installed a house fire may result. For your safety, follow the installation directions. Contact your local Building or Fire Officials about restrictions and installation inspection requirements in your area.

**Pre-Installation Assembly. Installation-  
Operation-Maintenance Manual**

CMH 1139  
84T 400  
Appendix E



**Step 1:**

After removing the stove from the pack, remove the Hob W.I.F. 102-12, also packed contents of Firebox. Empty the Jiffy Bag.

**Step 2:**

Fit the Fire Door Catch W.I.F. 127 and Knob. Remove the tape from the catch. Insert and secure the 19mm x 6.4mm ( $\frac{3}{4}$ " x  $\frac{1}{4}$ " ) hexagon head bolt into the hole at the back of the Firedoor. Remove the screw from the Door Knob and insert it through the hole in the front of the Door Catch. Screw on the Knob and washer tightly. Close and latch the door tightly.

**Step 3:**

Fit the legs W.I.F. 19. Lay the Stove on its side. Insert and secure a leg in the recess at each corner of the Base W.I.F. 102-9 using 25mm x 6.4mm ( $1\frac{1}{2}$ " x  $\frac{1}{4}$ " ) flat head screws and 6.4mm ( $\frac{1}{4}$ " ) square washers.

**Step 4:**

Fit the Ashtray W.I.F. 102-10. Secure the Ashtray to the base using 13mm x 6.4mm ( $\frac{1}{2}$ " x  $\frac{1}{4}$ " ) round head screws.

**Step 5:**

Carefully stand the unit upright, taking care not to stress the legs.

**Step 6:**

A 11.8kg (26 lb.) bag of refractory is supplied. Mix well adding only enough water to give the mixture a fairly moist consistency but not wet!! Using a short stick smooth the cement over the base of the fire box. Allow the cement to dry for 48 hours before using Stove.

**Step 7:**

Fit the Flue Outlet Collar W.I.F. 102-15. The flue collar may be used for flue connection from the top or from either side by interchanging it with any of the two Flue Blanking Plates W.I.F. 102-14 as illustrated. When Top Flue Connection is used the Hob can be lifted and swivelled aside to give access for cleaning the Inner Baffle Plates and Flue Connection. The Flue Outlet Collar is packed loose in the stove and may be screwed in position when direction of flue is known.

**Step 8:**

Fit the Inner Baffle Plates. The two Side Baffle Plates W.I.F. 102-19 are identical. Hang them on the two Centre Lugs inside the Firebox left and right hand. Place the top baffle W.I.F. 102-18 on the ledges inside the Firebox and ensure that it locates firmly against the back of the Firebox. Warning — these Baffle Plates must be installed before firing.

THE STOVE IS NOW READY FOR INSTALLATION. FOLLOW THE INSTALLATION INSTRUCTIONS EXACTLY.

# INSTRUCTIONS — WATERFORD 102 GENERAL

## BUILDING CODES:

Consult the LOCAL BUILDING CODE in all cases as to the particular requirements concerning the installation of SOLID FUEL TYPE ROOM HEATERS. This WATERFORD 102 WOOD BURNING STOVE is intended to be installed in accordance with National Fire Protection Associations Standard for Chimneys, Fireplaces and Vents, NFPA 211-1977.

This Stove has been tested and listed by UNDERWRITERS LABORATORIES INC. and as such carries the U.L. and U.L.C. LABEL. All building codes which recognise the value of U.L. Listing will accept applications for and approve installations of this product.

## INSTALLATION INSTRUCTIONS MUST BE FOLLOWED EXACTLY

### CHIMNEYS:

The Waterford 102 Wood stove is a Solid Fuel Burning Radiant Room Heater and must be connected to a CHIMNEY of the proper size and type.

### CHIMNEY TYPE:

1. The CHIMNEY must be a Residential Type (Sometimes called "CLASS A" or "All Fuel") designed for use with ANY FUEL.

**Note:** Connection to type "B" Gas Vents, approved for connection to a certain gas burning appliance only, will result in a fire!!!

The Residential Type Chimney may be:-

- FACTORY-BUILT U.L. Listed Residential Type and Building Heating Appliance Chimney (ANSI/UL 103) and acceptable to the local building code or,
- MASONRY, CONSTRUCTED IN ACCORDANCE WITH NFPA 211 CODE.

### CHIMNEY TYPE CANADA ONLY

The stove must be connected to an Underwriters' Laboratories of Canada Labelled Factory Built 650° C Chimney, installed in accordance with the manufacturer's instructions or a Lined Masonry Chimney, constructed in accordance with the National Building Code.

### CHIMNEY SIZE:

The Chimney must have a CROSS-SECTIONAL AREA of at least ~~1.875~~ 30 sq. mm (30 square inches), or a diameter of at least 153 mm (6 inches). It is best to connect to a chimney of the same size, as connection to a large size may result in somewhat less draught. Never connect to a smaller size chimney. Minimum chimney height 15 ft. (4.57 metres) from floor on which stove is installed.

### CHIMNEY CONNECTORS:

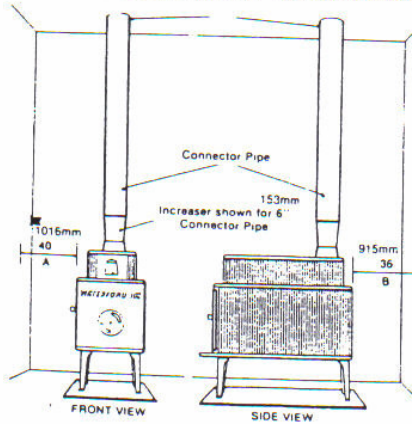
THE CHIMNEY CONNECTOR is a smokepipe used to connect the Waterford 102 Stove to the approved chimney described above. The CHIMNEY CONNECTOR must be made of CORROSION RESISTANT STEEL 24 gauge or heavier ('black' or 'blued', or equivalent treated steel).

SINGLE WALL STOVE PIPE MUST NOT PENETRATE COMBUSTIBLE WALLS OR CEILINGS.

A 127 to 153 mm (5 to 6 inch) increaser is included with the Waterford 102 Heater. When using the 127 to 153 mm (5 to 6 inch) increaser 153 mm (6 inch) diameter connector pipe is used. Be sure to fasten the chimney connectors together and also to the flue outlet of the stove through the two holes provided. Use at least two screws for each joint. Be sure the joints are tight and fully secured.

For safety, and to avoid drafts, avoid locations close to an exit. Be sure to fasten the chimney connectors together and also to the flue outlet of the stove through the two holes provided. Use at least two screws for each joint. Be sure the joints are tight and fully secured.

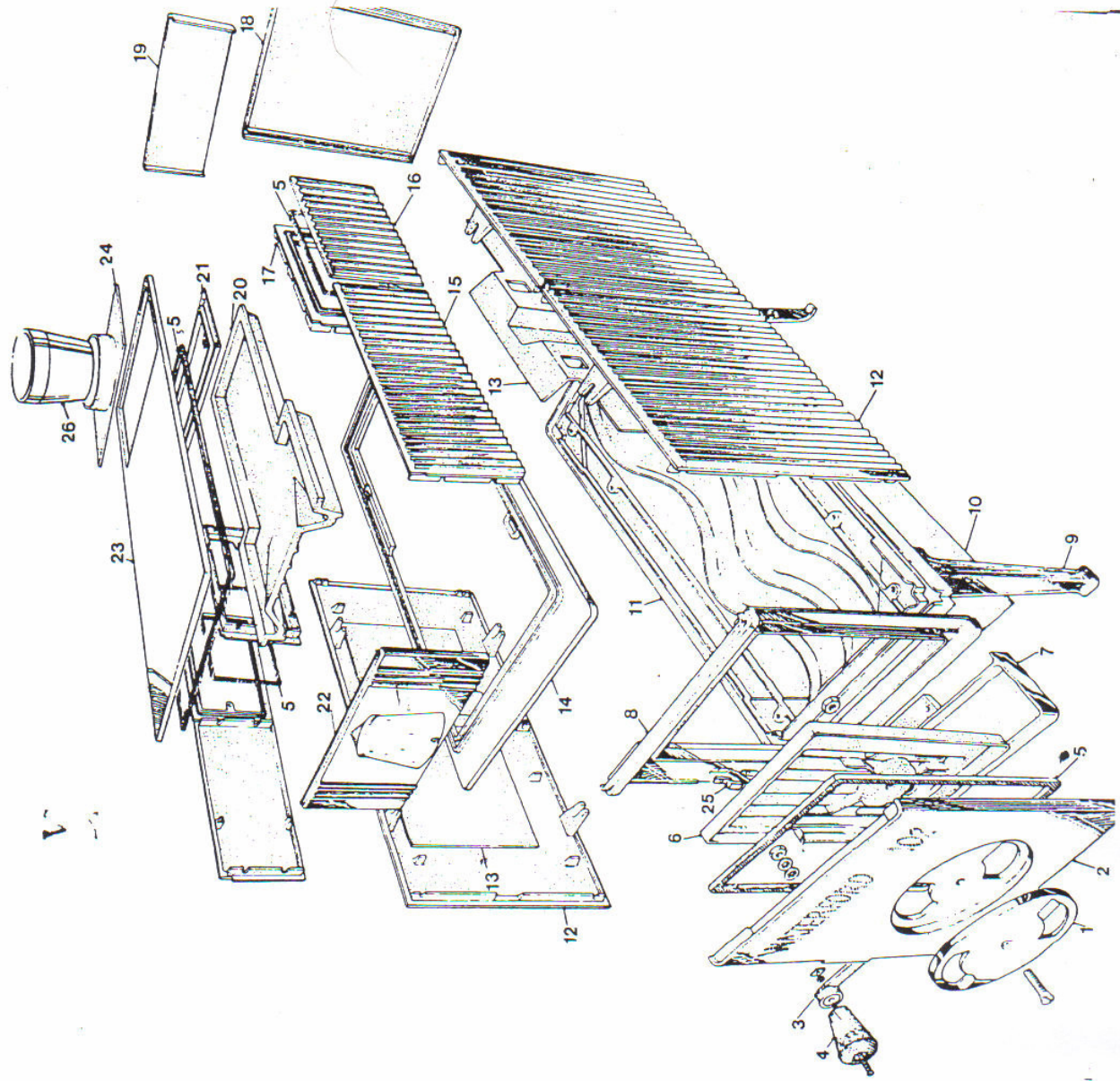
NO. 1 CHIMNEY CONNECTION STRAIGHT UP TO FACTORY-BUILT CHIMNEY



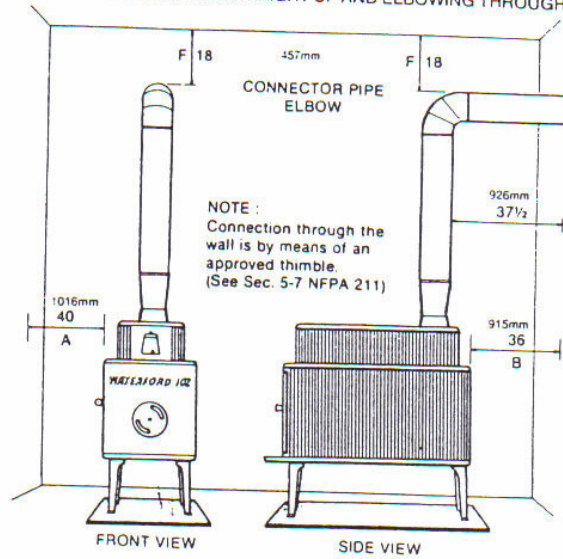
# **WATERFORD**

## 102 WOODBURNING STOVE PARTS LIST

1. Spin Valve
2. Fire Door
3. Door Latch
4. Door Knob
5. Gasket
6. Fire Door Panel
7. Ash Tray
8. Front
9. Leg
10. Cast Iron Base Baffle (2 castings)
11. Base Plate
12. Side Plate (4)
13. Side Plate Baffle
14. Top Plate
15. Upper Side Panel
16. Blanking Panel
17. Side Outlet Panel
18. Back Plate
19. Top Back Panel
20. Top Baffle
21. Top Flue Outlet Frame
22. Upper Front Panel
23. Hob
24. Flue Spigot
25. Door Catch
26. Flue Increaser



NO. 2 CHIMNEY CONNECTION STRAIGHT UP AND ELBOWING THROUGH WALL



**LOCATION:**

There are several conditions in selection a LOCATION for your Waterford 102. These are:-

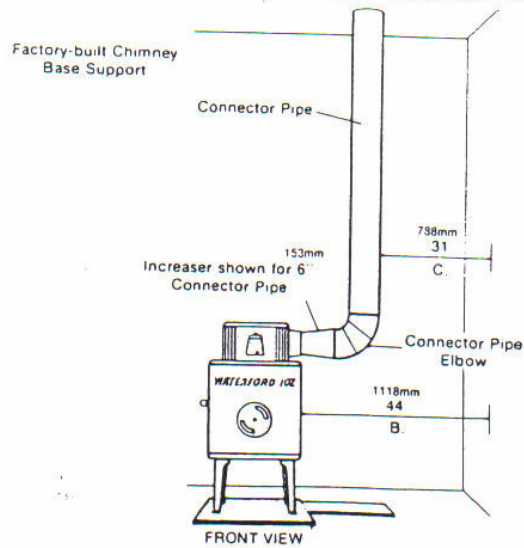
- 1) Distance from a safe chimney (See "Chimneys").
- 2) Position in the area to be heated — central locations are usually best.
- 3) Allowance for proper clearances.

**NOTE:** Do not connect this unit to a chimney flue serving other appliance.

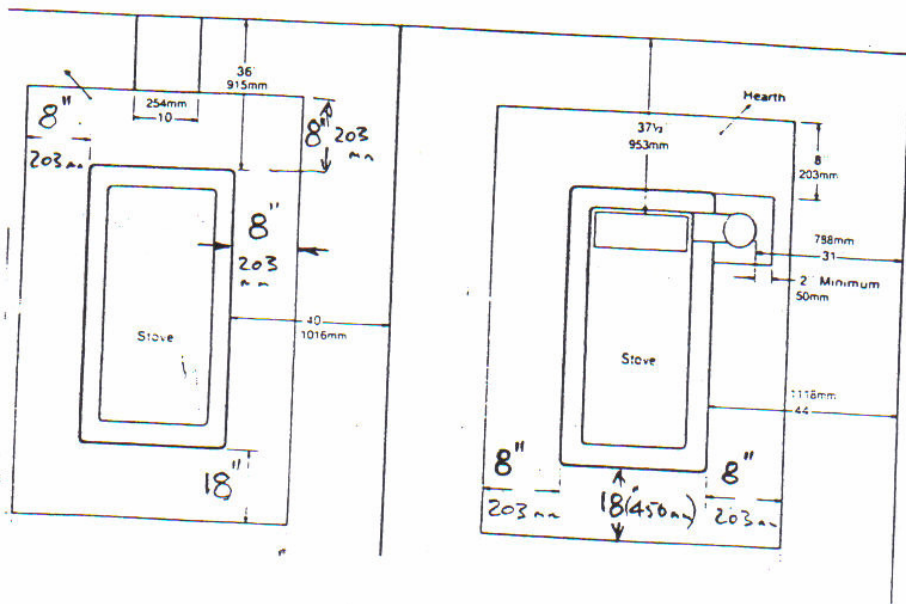
**CLEARANCES:**

The Waterford 102 Stove must be installed with the minimum clearances outlined below in the illustrations:

NO. 3 CHIMNEY CONNECTION VENTING THROUGH SIDE OF STOVE RIGHT HAND OR LEFT HAND SIDE



WHEN INSTALLED ON A COMBUSTIBLE FLOOR, A NONCOMBUSTIBLE PROTECTOR WITH A MINIMUM THICKNESS 3/8 INCH (OR 1/4 INCH WHEN COVERED WITH SHEET METAL) IS REQUIRED UNDER THE HEATER AND EXTENDING A MINIMUM DISTANCE OF 18 INCHES TO THE FRONT AND 8 INCHES TO SIDES AND REAR.



**MINIMUM CLEARANCES TO COMBUSTIBLE MATERIALS:**

A) Side Wall to Stove — Top Outlet	1016mm	40 inch
B) Side Wall to Stove — Side Outlet	1118mm	44 inch
C) Side Wall to Chimney Connector — Side Outlet	788mm	31 inch
D) Back Wall to Stove	915mm	36 inch
E) Back Wall to Chimney Connector — Top Outlet	953mm	37 1/2 inch
F) Ceiling to Horizontal Connector — Top Outlet	457mm	18 inch

See Instructions.

Stove for use with Solid Wood only.  
 Install and use only in accordance with the manufacturer's installation and operating instructions. Inspect and clean chimney frequently. Under certain conditions of use, creosote build up may occur rapidly.

Build Wood Fire Directly on Hearth.

OPERATE STOVE ONLY WITH FUELING DOOR CLOSED

## WATERFORD 102 OPERATION

BEFORE LIGHTING YOUR WATERFORD 102 ALLOW THE REFRACTORY TO SET AT LEAST 48 HOURS TO PREVENT CRACKING. THE FIRST FEW FIRES SHOULD BE RELATIVELY SMALL TO PERMIT THE REFRACTORY TO CURE WELL, AND TO "SEASON" THE STOVE.

### CAUTION:

NEVER USE GASOLINE, GASOLINE-TYPE LANTERN FUEL, KEROSENE, CHARCOAL LIGHTER FLUID, OR SIMILAR LIQUIDS TO START OR 'FRESHEN UP' A FIRE IN THIS HEATER. KEEP ALL SUCH LIQUIDS WELL AWAY FROM THE HEATER WHILE IT IS IN USE. DO NOT USE GRATE OR ELEVATE FIRE. BUILD WOOD FIRE DIRECTLY ON HEARTH. OPERATE STOVE ONLY WITH FUELING DOOR CLOSED. BURN WOOD ONLY.

1. Lay a few crumpled sheets of paper on the hearth, then a few small sticks or kindling to get the fire started. Open the fire door and light paper. Close the door and open the draught control ALL THE WAY. The fire will catch the kindling quickly, after which a full size log may be placed on top. After the log has caught, adjust the draught control to suit the heat requirements.
2. The logs will burn slowly towards the rear of the fire chamber and the rate of burning is adjustable at all times by means of the draught control. The more draught (wider opening) the faster the burning. Do not overfire the stove. If the stove or chimney connector glows, you are overfiring the stove.
3. Once they are well lighted, the logs need little attention. It is recommended that the draught be reduced (smaller opening) after the logs are well lighted as they will require little draught to maintain combustion.
4. When the fire is reduced to embers, open the door and carefully rake the embers towards the front of the fire chamber and reload with logs.
5. Keep all combustible materials at least three feet away from the stove and connector pipes. Never dry clothing on or over the stove or within three feet of it.
6. Use the main top of the stove for boiling, simmering, etc. You will soon learn the best ways and means of using the stove in order to attain maximum efficiency.
7. Disposal of Ashes — Ashes should be placed in a metal container with a tight fitting lid. The closed container of ashes should be placed on a non-

combustible floor or on the ground, well away from all combustible materials, pending final disposal. If the ashes are disposed of by burial in soil or otherwise locally dispersed, they should be retained in the closed container until all cinders have thoroughly cooled.

8. Creosote — Formation and need for removal — When wood is burned slowly, it produces tar and other organic vapours, which combine with expelled moisture to form creosote. The creosote vapours condense in the relatively cool chimney flue of a slow-burning fire. As a result, creosote residue accumulates on the flue lining. When ignited this creosote makes an extremely hot fire.

The chimney connector and chimney should be inspected at least twice monthly during the heating season to determine if a creosote build up has occurred. If creosote has accumulated it should be removed to reduce the risk of a chimney fire.

### FIRE SAFETY

To provide reasonable fire safety, the following should be given serious consideration:

1. The installation of smoke detectors.
2. A conveniently located Class A fire extinguisher to contend with small fires resulting from burning embers.
3. A practiced evacuation plan.
4. A plan to deal with a chimney fire as follows

#### In the event of a chimney fire:

- (a) Notify the fire department.
  - (b) Prepare occupants for immediate evacuation.
  - (c) Close all openings into the stove.
  - (d) While awaiting fire department watch for ignition to adjacent combustibles from over-heated stove pipe or hot embers or sparks from the chimney.
9. Inspect the chimney connector frequently. Tap the connector with your finger when the pipe is cool. If you hear a dull echo, the pipe may need cleaning. Disassemble the chimney connector and clean the sections. Replace corroded pipe sections.
  10. For further information on using your Wood Heater safely, obtain a copy of the National Fire Protection Association's Publication, "Using Coal and Wood Stoves Safely" NFPA No. HS-8-1974. The address is:-

National Fire Protection Association,  
Batterymarch Park,  
Quincy M.A. 02269,  
U.S.A.

ENJOY, BUT ENJOY SAFELY!!!

# WATERFORD

Waterford Foundry Limited  
Bilberry  
Waterford  
Ireland

Telephone: 051-75911  
Telex: 80763

The manufacturers reserve the right to make alterations to design materials or construction for manufacturing or other reasons subsequent to publication.

Printed by: Kilkenny People Printing Ltd., High Street, Kilkenny