

---

**PLEASE RETAIN**



# Argon Built In



**MODELS:**

**ARBI100/ARBI130**

## ***INSTALLATION AND OPERATING INSTRUCTIONS***

*The complete installation must be done in accordance with current Standards and Local Codes. The instructions in this manual must be followed to ensure safe operation of the appliance. It should be noted that the requirements and this publication may be superseded during the life of the stove.*

**AFFIX SERIAL  
NO. LABEL**

*The serial number above must be retained and will be required when registering the product guarantee or making a warranty claim.*

---

---

## TABLE OF CONTENTS

	<b>PAGE NO.</b>
1. Stanley Appliance Warranty . . . . .	3
2. Important Operation/ Maintenance Notes . . . . .	4
3. Installation & Operating Instructions . . . . .	5
4. Locating the Unit . . . . .	5
5. Unpacking & Testing . . . . .	5
6. Installation - Built In . . . . .	5
7. Product Dimensions . . . . .	6
8. Technical Data . . . . .	7
9. Commissioning & Handover . . . . .	7
10. Operation . . . . .	7
11. Manual Operation . . . . .	8
12. Remote Control Operation . . . . .	8
13. Heater Operation . . . . .	9
14. Flame Operation . . . . .	9
15. Setting the Time & Day (24 Hour Clock) . . . . .	9
16. Setting the Programmer . . . . .	9
17. Open Window Function . . . . .	10
18. Safety Cut-Out . . . . .	11
19. Battery Replacement - Remote Control . . . . .	11
20. Cleaning . . . . .	11
21. Wiring Diagram . . . . .	11
22. Exploded View . . . . .	12



## STANLEY APPLIANCE WARRANTY

### CONDITIONS OF WARRANTY

Your Stanley Appliance is guaranteed against any part that fails (under normal operating conditions) for a two year period from the date of installation of the appliance. If the unit is not installed within six months of date of purchase, the warranty will commence six months from the date of purchase.

All warranty claims must be reported to the Waterford Stanley Service Department and must be submitted with the product serial number (located on the front of this manual), date of purchase, proof of purchase (if requested) and details of the specific nature of the problem.

The warranty is given only to the original consumer/purchaser only and is non-transferable. The appliance must be installed by a suitable qualified person and installed as per the requirements of the manual. Failure to comply with the Installation Requirements or Building Regulations will void your warranty. Waterford Stanley reserve the right to replace any part due to manufacturing defect that fails within the warranty period under the terms of the warranty. The unit must be used for normal domestic purposes only and in accordance with manufacturer's operation instructions.

### LIMITS OF LIABILITY

The warranty does not cover:

- \* Bulbs and Batteries.
- \* Special, incidental or consequential damages, injury to persons or Property, or any other consequential loss.
- \* Any issue caused by negligence, misuse, abuse or circumstances beyond Waterford Stanley's control.
- \* Any issue with wear and tear, modification, alteration, or servicing by anyone other than an authorized service engineer.
- \* Damage resulting from installation & usage where the appliance has not been installed or used in accordance with the installation or operation instructions or if the installation does not conform to local building, fire & safety regulations.
- \* Damage caused to the unit while in transit.
- \* Damage caused by storing the unit in a damp, unheated environment.
- \* Aesthetic damage & missing parts on units purchased off display.
- \* Removal & re-installation costs.

**Note:** Adequate clearance must be maintained around the appliance to ensure the ease of part removal in the possible event of their damage/failure. Waterford Stanley are not responsible for any costs incurred in the removal of items installed in the vicinity of the appliance that have to be moved to facilitate a part replacement.

---

## **IMPORTANT OPERATION / MAINTENANCE NOTES**

Now that your Stanley Appliance is installed and no doubt you are looking forward to the many comforts it will provide, we would like to give you some tips on how to get the best results from your unit.

1. Carefully read all instructions before using this unit.
2. The unit is hot when in use. To avoid burns, do not let bare skin touch hot surfaces. The grill at the bottom of the unit becomes hot during heater operation.
3. Keep combustible materials, such as furniture, pillows, bedding, papers, clothes and curtains at least 3 feet (0.9m) from the front of the unit.
4. Extreme caution is necessary when any heater is used by or near children or invalids and whenever the unit is left operating and unattended.
5. Always unplug the unit when not in use.
6. Do not operate this unit with a damaged cord or plug, or if the unit has malfunctioned, or if the unit has been dropped or damaged in any manner.
7. Do not use the unit for other than its intended use. Do not use outdoors.
8. This unit is not intended for use in bathrooms, laundry areas and similar indoor locations. Never locate this unit where it may fall into a bathtub or other water container.
9. Do not install the unit on a surface which may restrict air circulation beneath the unit.
10. Do not run the mains cord under carpeting. Do not cover the cord with throw rugs, runners or the like. Arrange the cord away from traffic area and where it will not be tripped over.
11. To disconnect the unit turn controls to off, then remove plug from outlet.
12. Do not insert or allow foreign objects to enter any ventilation or exhaust opening as this may cause an electric shock or fire, or damage the heater.
13. To prevent a possible fire, do not block the air intake or exhaust in any manner. Do not use on soft surfaces, like a carpet, where openings may become blocked.
14. All electrical heaters have hot and arcing or sparking parts inside. Do not use it in areas where gasoline, paint, or flammable liquids are used or stored or where the unit will be exposed to flammable vapours.
15. Do not modify this unit. Use it only as described in this manual. Any other use not recommended by the manufacturer may cause fire, electric shock or injury to persons.
16. Avoid the use of an extension cord because the extension cord may overheat and cause a risk of fire.
17. Do not strike the glass.
18. Always use a certified electrician should new circuits or outlets be required.
19. Always use properly grounded, fused and polarised outlets. **DO NOT** cut off the plug and hardwire directly into the mains or via a fused fixed spur.
20. Always use ground fault protection where required by electrical code.
21. Always disconnect power before performing any cleaning, maintenance or relocation of the unit.
22. When transporting or storing the unit and mains cord, keep in a dry place, free from excessive vibration and store so as to avoid damage.
23. To prevent possible fire, do not burn wood or other materials in this heater.
24. **The unit may emit a slight, harmless odour and smoke when first used. This odour and smoke is normal and it is caused by the initial heating of internal heater parts and will not occur again.**
25. Do not use the unit in small rooms when they are occupied by persons not capable of leaving the room on their own, unless constant supervision is provided.
26. Children of less than 3 years should be kept away from the unit unless constantly supervised.
27. Children aged from 3 years and less than 8 years shall only switch on/off the unit provided that it has been placed or installed in its intended normal operating position and they have been given supervision or instruction concerning the use of the unit in a safe way and understand the hazards involved. Children aged from 3 years and less than 8 years shall not plug in, regulate and clean the appliance or perform user maintenance.
28. This unit can be used by children aged from 8 years & above and persons with reduced physical, sensory or mental capabilities or lack of experience & knowledge if they have been given supervision or instruction concerning the use of the unit in a safe way and understand the hazards involved. Children shall not play with the unit. Cleaning and user maintenance shall not be made by children without supervision.

## INSTALLATION & OPERATING INSTRUCTIONS

### LOCATING THE UNIT

Before commencing installation of the unit consideration should be given to the following:

1. Position in the area to be heated, central locations are usually best.
2. Allowances for proper clearances to combustibles (see Fig 1).
3. Allowances for proper clearances for maintenance work (see Fig 1).
4. Consider a location where the glass screen will not be exposed to direct sunlight from windows and doors.
5. Select a location that is not prone to moisture. If installing the unit in a chimney/fireplace opening. Seal all drafts and vents with a non-fibrous insulation material to prevent any chimney debris from falling onto the fireplace. Cap the top of the chimney flue to prevent rain from entering.
6. A 13 amp, 240 Volt socket capable of accomodating a maximum load of 2000 watts must be available close to the appliance. The socket must be accessible at all times and must not be placed directly behind the unit.

Fig.1

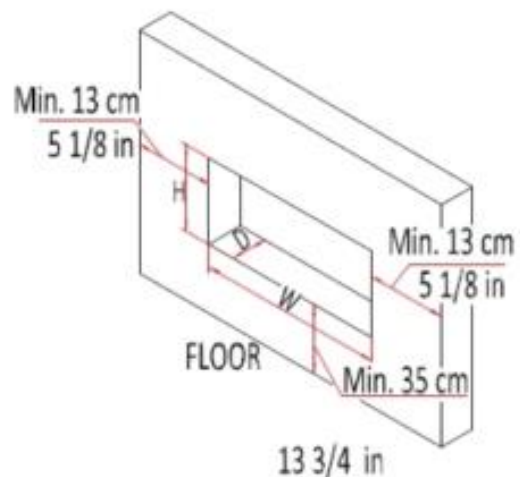
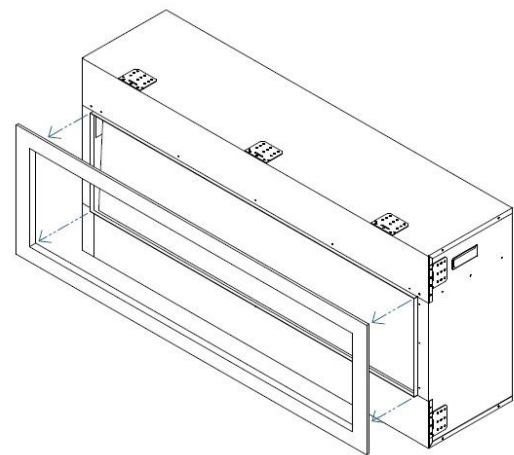


Fig.2



### UNPACKING & TESTING

Carefully remove the unit from the packaging and prior to installing the unit, test the unit by plugging the power supply into a conveniently located 13 amp grounded socket.

Your Stanley Appliance is supplied with the following items:

- Four Sided Frame
- Mounting Bracket Fixings
- Remote Control (AAA Batteries not included)

### INSTALLATION

#### Note

**The Built in Unit must be fitted prior to the plasterboard or alternative finish that will be placed in front of it.**

1. Select a location as per the requirements in the *Locating the Unit* section and with clearances as shown in Fig 1.
2. Check the wall to ensure there is no wiring, pipes etc in the area.
3. Prepare the wall with a framed opening to accomodate the size of the of the unit (refer to Table 1).

	Width (mm)	Depth (mm)	Height (mm)
ARBI100	1025	180	640
ARBI130	1300	180	640

**Table 1:** Approx Wall Opening Sizes

4. Remove the four sided frame (see Fig 2).
5. Remove the mounting brackets from the body of the unit & refit them as shown in Fig 3.
6. Bend the mounting brackets upwards as show in Fig 4.
7. Lift the unit into posiiton in the opening prepared and connect the power supply ensuring that the power supply is isolated.
8. Level the unit and secure in position by fitting the mounting brackets to the wall stud using the screws provided.
9. Fit and finish the plasterboard to wall cutting an opening for the viewing area of the fire.

Fig 3

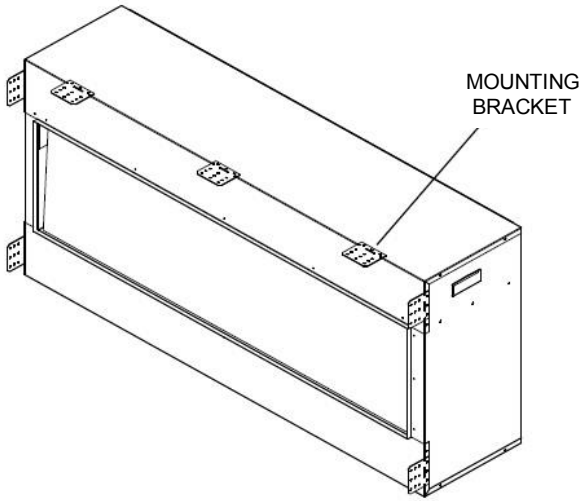
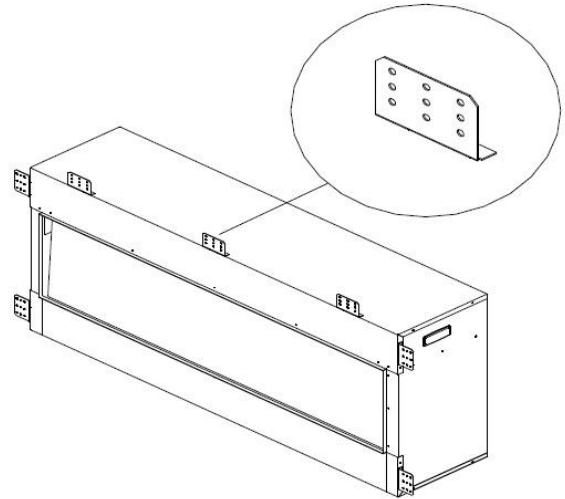


Fig 4



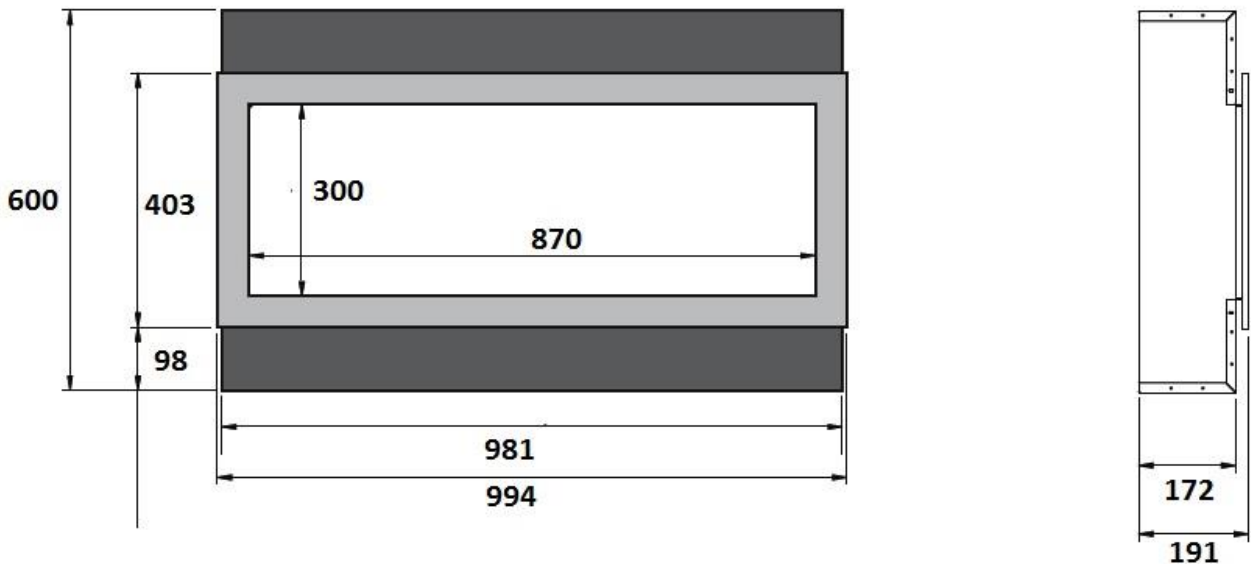
10. The plasterboard can be finished to edge of the viewing window, there are labels on the fire showing areas where fixing screws may be screwed into the fire unit.

10. Refit the Four Sided Frame if required, This frame is decorative only, it conceals the edge of the opening and frames the opening. Where the plasterboard has been finished to an acceptable standard it is not necessary to fit the Four sided frame.

### PRODUCT DIMENSIONS

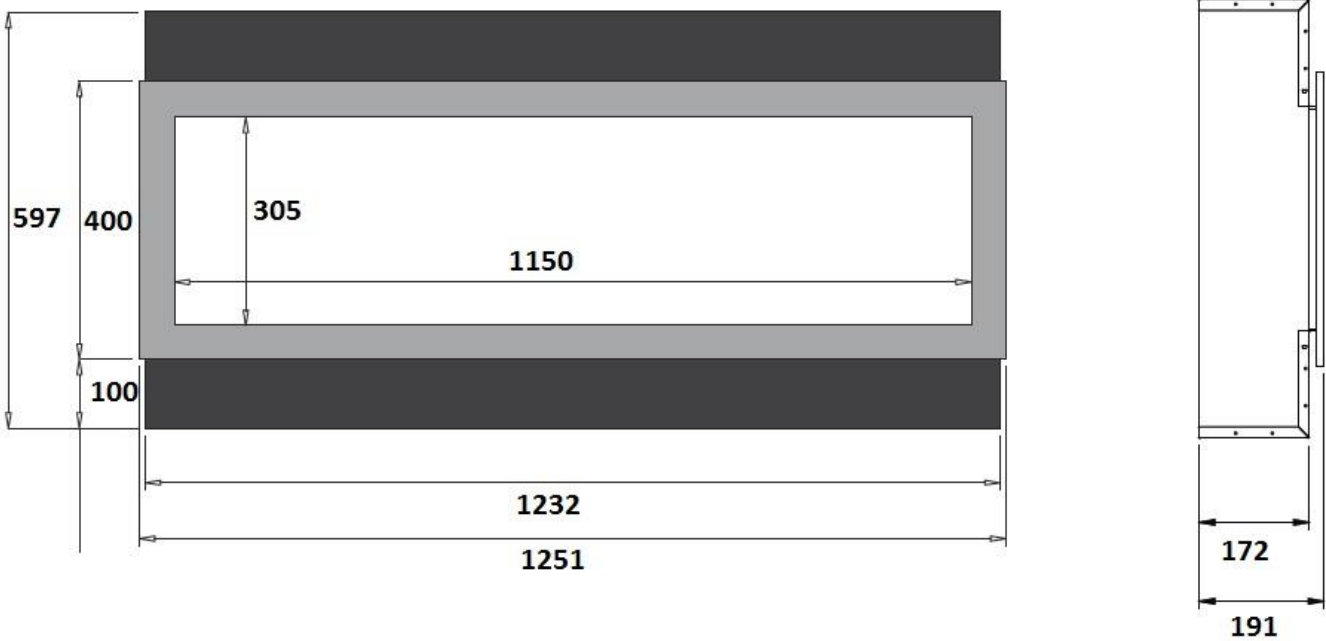
#### ARBI100

Fig 5



# ARBI130

Fig 6



**Note:** Dimensions stated are in millimetres unless otherwise stated and may be subject to a slight +/- variation.

## TECHNICAL DATA

	ARBI100	ARBI130
Voltage	240V AC 50-60 Hz	
Max Power	2000W	
No Heater	25W	
Motor Heater	19W	
Gross Weight (kgs):	40	48
Efficiency Rating:	A	A

## COMMISSIONING AND HANDOVER

On completion of the installation:

- \* Ensure that the operating instructions for the unit are left with the customer.
- \* Ensure to advise the customer on the correct use of the appliance and how to isolate the unit when required.
- \* Advise the user what to do should smoke or fumes be emitted from the unit.

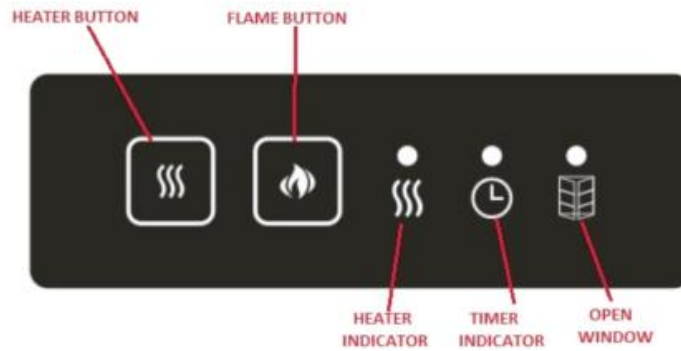
## OPERATION

The unit can be operated either by the switches located on the left top inner face of the unit or using the remote control supplied.

**NOTE:** The unit may emit a slight, harmless odour and smoke when first used. This odour & smoke is normal and it is caused by the internal heating of the internal heater parts and will not occur again



## MANUAL OPERATION



### Heater Operation

Press the Heater Button once to activate the heater at full output (2kW) and the Heater Indicator will illuminate red. Press the Heater Button again to activate the heater at half output (1kW) and the Heater Indicator will illuminate blue. Press the Heater Button for a third time to turn the heater off.

### Flame Operation

Press the Flame Button and the flame picture will be at maximum brightness. Press the Flame Button again and the flame picture will be at medium brightness. Press the Flame Button for a third time and the flame picture will be at minimum brightness. Press the Flame Button for a fourth time and the flame picture will turn off.

## REMOTE CONTROL OPERATION





## Heater Operation

1. Press the Power Button to turn on the remote control. The Screen will illuminate, the flame picture on the unit illuminates and the Flame Picture Icon will appear on the remote control screen.
2. Press the Heater Button once to activate the heater at full output (2kW). The Heater Indicator will illuminate red on the unit and the max heat indicator will be displayed on the remote control screen (see Fig 7).
3. Press the Heater Button again to activate the heater at half output (1kW). The Heater Indicator will illuminate blue on the unit and the half heat indicator will be displayed on the remote control screen (see Fig 8).
4. Press the Heater Button for a third time to turn the heater off.

The heating elements will only operate when the temperature setting on the remote control is higher than the ambient temperature in the room. The temperature setting can be adjusted between 7 and 30° C by pressing the Adjust + and Adjust - buttons.

## Flame Operation

1. Press the Power Button to turn on the remote control. The Screen will illuminate, the flame picture on the unit illuminates and the Flame Picture Icon will appear on the remote control screen.
2. Press the Flame Button to turn off the flame picture on the unit and the Flame Picture Icon will be removed from the remote control screen.

The colours of the Flame Picture can also be adjusted using the Red, Yellow & Blue Flame Buttons. By pressing one of these buttons, the level of the chosen colour will reduce so that the desired flame colour can be achieved.

## Setting the Time & Day (24 Hour Clock)

1. Press the Power Button to turn on the remote control.
2. Press the Shift Key and the Hour setting on the remote control screen will flash. Adjust to the desired setting by pressing the Adjust + and Adjust - buttons.
3. Press the Shift Key and the Minute setting on the remote control screen will flash. Adjust to the desired setting by pressing the Adjust + and Adjust - buttons.

Fig 7

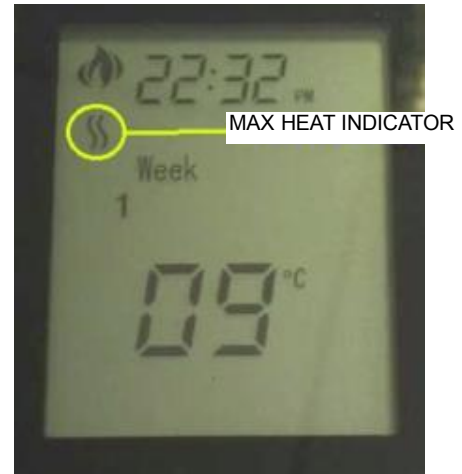


Fig 8



Fig 9



4. Press the Shift Key and the Day setting on the remote control screen will flash. Adjust to the desired setting by pressing the Adjust + and Adjust - buttons. (Monday = 1, Tuesday =2, Wednesday = 3 etc.)

## Setting the Programmer

The programmer allows for the unit to be set in two operational modes (Heat & Flame Picture and Flame Picture only) with hourly settings that can be programmed for the full week. The programmer is set as follows:

1. Press the Timer Setting button and the remote screen will be as shown in Fig 9 with the temperature setting flashing.
2. Adjust the temperature setting by pressing the Adjust + and Adjust - buttons.
3. Press the Shift Key to enter the time parameters for Monday (1). - see Fig 10.
4. Select the hour to be set (0-24) by pressing the Adjust + and Adjust - buttons until the desired hour is shown on the screen (see Fig 11- 8am shown).
5. To select the operational mode, press the Shift Key to select one of the following:

Heat & Flame Picture
  Flame Picture
  OFF Mode

6. When finished setting the times for Monday, press the Timer Setting button to enter the time parameters for Tuesday (2).
7. Repeat steps 4 & 5 for Tuesday and when set press the Timer Setting button to enter the next day.
8. When the settings are complete for Sunday (7), press the Timer Setting button to exit the programmer settings.

To transfer the programmer settings to the unit, press the Timer button on the remote control twice and to set the unit to timed operation, press the Timer button again so the Timer Icon appears on the remote control screen (see Fig 12).

#### Open Window Function

The Open Window function when selected will ensure that the heating function on the unit turns off in a situation where a window in the room in which the unit is fitted is left open.

After the Open Window function is turned on, the unit firstly detects if the heating function is turned on. If it is turned on, the program will save the current ambient temperature value and detects the ambient temperature change once every 12 minutes. When the decrease in the ambient temperature detected within 30 minutes exceeds 4°C, the program will deem that the window is open and stop heating, and the Open Window indicator on the unit will flash rapidly. After it has stopped heating for 70 minutes, the unit starts to detect if the window is closed, and the Open Window indicator flashes slowly. The heating function will then operate on half heat for 6 minutes every 30 minutes. If the temperature rise is more than 2°C, the window is considered closed and the Open Window indicator stops flashing.

To turn on the Open Window function, press the Open Window Function button and the Open Window indicator will be display on the remote control screen (see Fig 13). Press the Open Window Function button again to turn off.

Fig 10



Fig 11

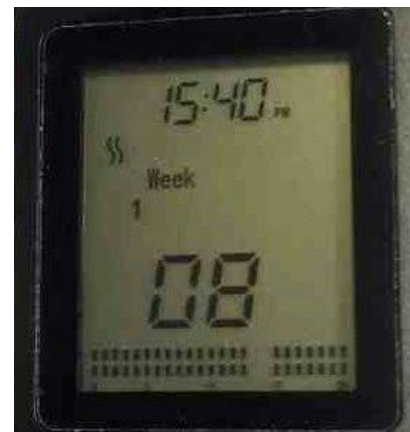


Fig 12



Fig 13



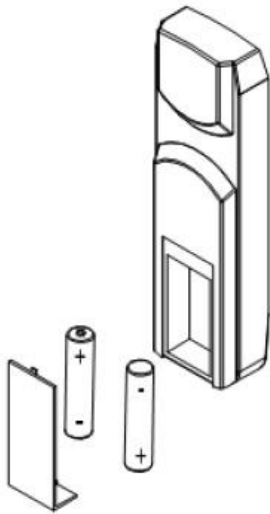
## SAFETY CUT-OUT

This appliance is fitted with a safety cut-out which will operate if the unit overheats (i.e. due to blocked air vents). For safety reasons, the unit will not automatically reset. To reset the appliance, disconnect the power supply for at least ten minutes.

## BATTERY REPLACEMENT - REMOTE CONTROL

The Remote Control requires two AAA Batteries which are fitted by removing the back cover and inserting the batteries into the housing as shown in Fig 14.

Fig 14



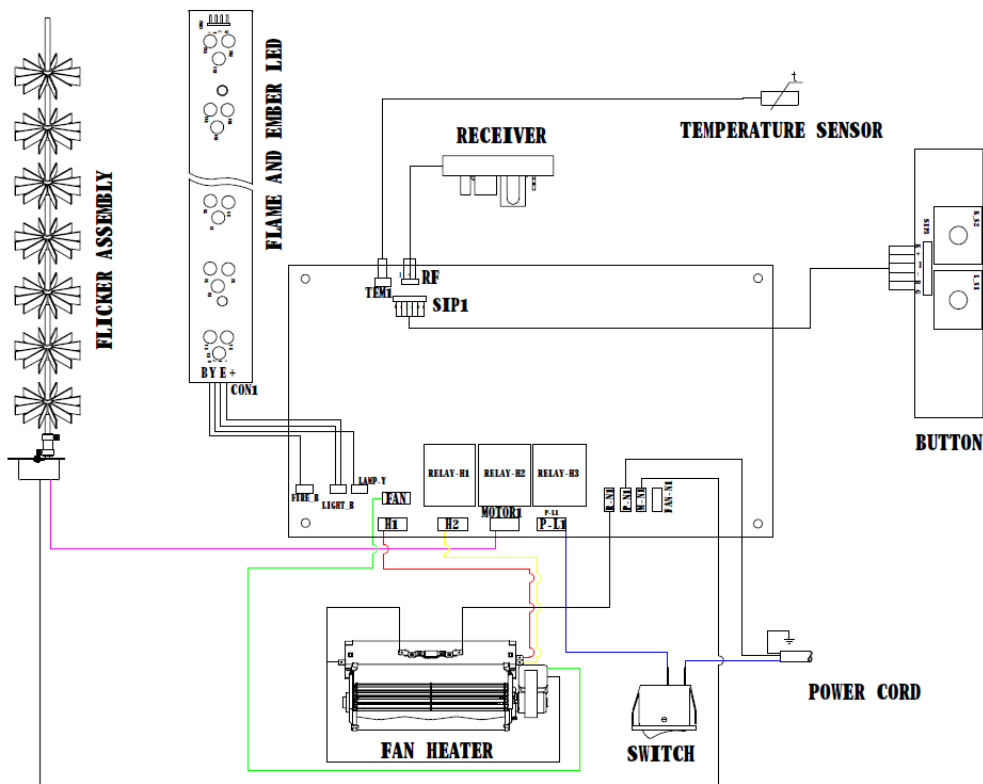
## CLEANING

**NOTE:** Allow the product to completely cool before handling or cleaning it.

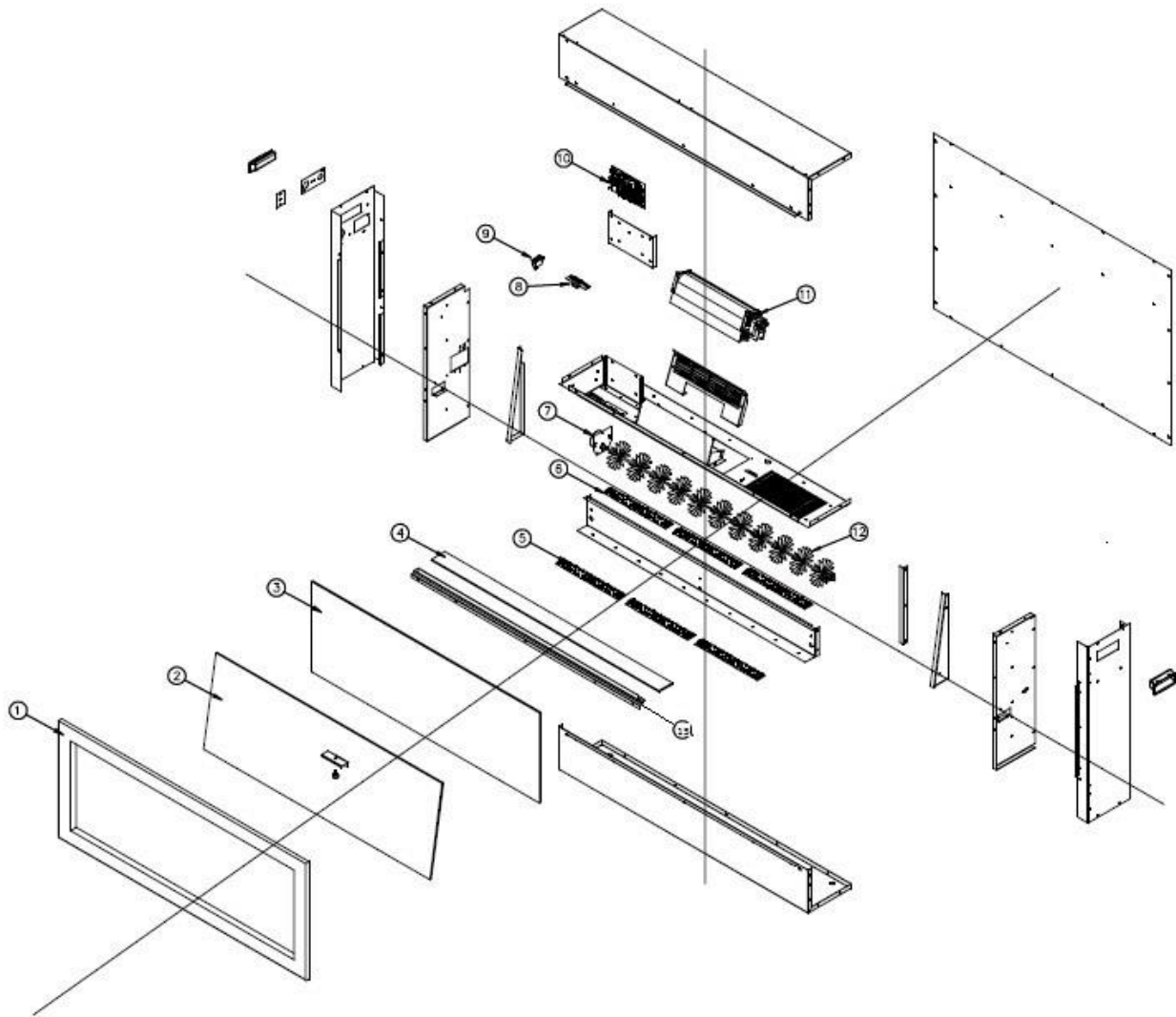
1. Switch off and unplug from the power supply before cleaning.
2. Using a soft, moist cloth, with or without a mild soap solution, carefully clean the exterior surface of the product.
3. Do not allow water or other liquids to run into the interior of the product, as this could create a fire and/or electrical hazard.
4. We also recommend the periodic cleaning of this appliance by lightly running a vacuum cleaner nozzle over the guards to remove any dust or dirt that may have accumulated inside or on the unit.

**CAUTION:** Do not use harsh detergents, chemical cleaners or solvents as they may damage the surface finish of the plastic components.

## WIRING DIAGRAM



## EXPLODED VIEW



NO	DESCRIPTION	ARBI100	ARBI130
1	4 SIDED FRAME	3109501	3057501
2	FRONT GLASS	10701187	10701165
3	BACK GLASS	10701168	10701186
4	BOTTOM GLASS	10702158B	10702159B
5	LED STRIP FOR TRAY	601136B	
6	LED STRIP FOR FLAME	601136B	
7	FLAME MOTOR	10101201C	
8	CONTROL PANEL	601035	
9	POWER SWITCH	10104010	
10	MAIN PCB	601094F	

NO	DESCRIPTION	ARBI100	ARBI130
11	BLOWER & HEATER ASSEMBLY	602120B	
12	FLICKER ASSY	3109503	357503
13	REMOTE CONTROL	101050203	
14	LOG SET	10305571	10305533
15	MEDIA HOLD BRACKET	3109017	357107
	ADJUSTABLE FOOT	10203015	
	THERMOSTAT	10114001B	

**Waterford Stanley Ltd.,**  
 Unit 401-403, IDA Industrial Estate, Cork Road,  
 Waterford, Ireland.  
 Tel: (051) 302300 Fax (051) 302315

